

SMT POWER INDUCTORS

ASPI-5619-XXX

* RoHS COMPLIANT



5.9 x 5.9 x 1.05mm

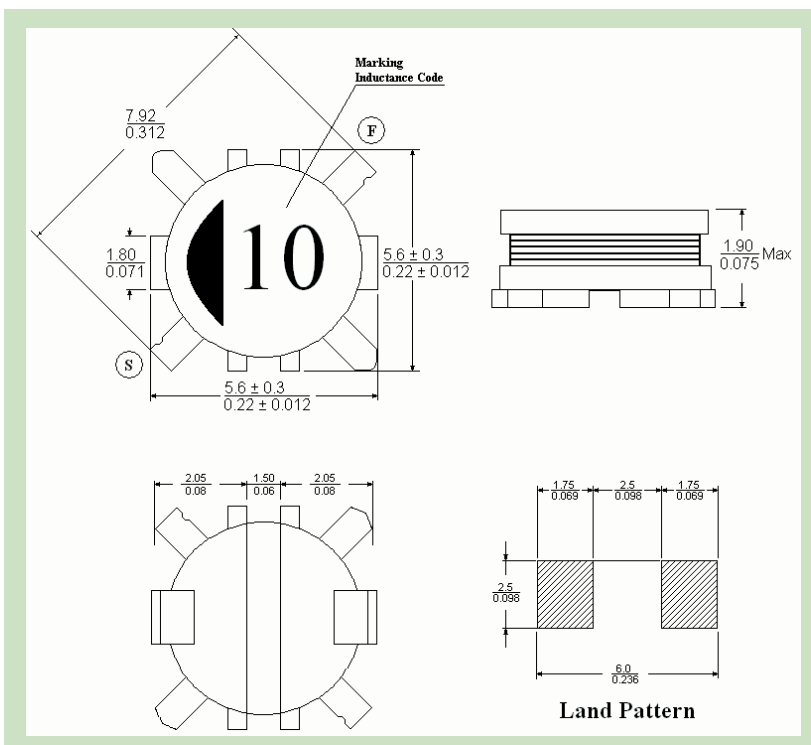
FEATURES & APPLICATIONS:

- Miniature size : Mount area : 5.9x5.9mm, Height : 1.9mm max.
- Available on tape and reel for automatic insertion
- Lead free part available
- Applications : DC to DC converters for cellular phone, LCD driver circuit

STANDARD SPECIFICATIONS:

Part Number	L (μH) $\pm 20\%$	DCR (Ω) $\pm 20\%$	Inductance Decrease Current	Temperature Rise Current	Marking
ASPI-5619- 2R2	2.2	0.043	3.70	2.90	◀ 2.2
ASPI-5619- 3R3	3.3	0.057	2.90	2.40	◀ 3.3
ASPI-5619- 4R7	4.7	0.076	2.70	2.20	◀ 4.7
ASPI-5619- 6R8	6.8	0.113	2.20	1.80	◀ 6.8
ASPI-5619- 8R2	8.2	0.132	1.90	1.52	◀ 8.2
ASPI-5619- 100	10	0.153	1.50	1.50	◀ 10
ASPI-5619- 150	15	0.231	1.40	1.15	◀ 15
ASPI-5619- 220	22	0.312	1.15	0.97	◀ 22
ASPI-5619- 330	33	0.478	0.97	0.76	◀ 33
ASPI-5619- 470	47	0.703	0.81	0.65	◀ 47

PHYSICAL CHARACTERISTICS:



TECHNICAL INFORMATION:

- Marking: Value, in μH or equivalent
 - Add -M for L tolerance $\pm 20\%$
 - Add -T for tape and reel
 - L test at 100KHz, 0.1V_{RMS}
 - I_{dc}: L drop 10% typ. from the initial value or $\Delta T = 40^\circ\text{C}$ rise max
 - Operating temperature : $-40^\circ\text{C} \sim +85^\circ\text{C}$
 - Electrical specification @ 25°C
 - Resistance to solder heat : $260^\circ\text{C} \cdot 10 \text{ SEC.}$
- Note:** All specifications subject to change without notice.

PACKAGING INFORMATION:

- Parts are packaged on 13" reels.
- 5000 parts per reel.